

Carbon Dioxide Detector- Transmitter E2638-CO2



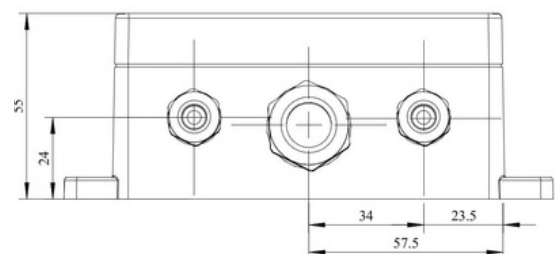
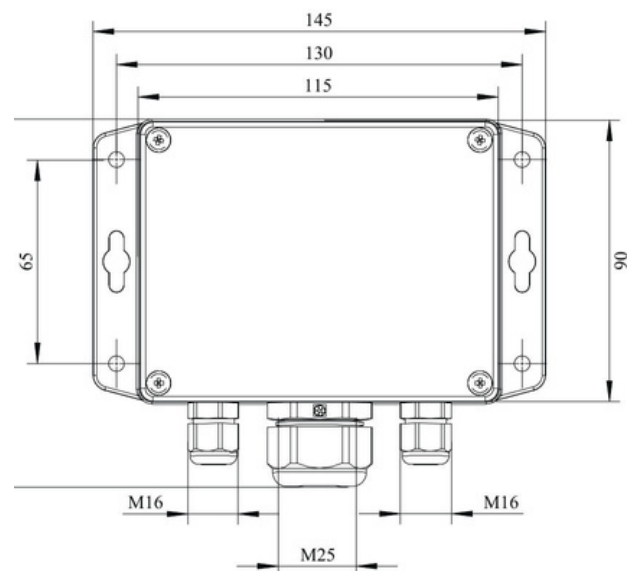
Specifications

Calibration	Carbon dioxide CO ₂
Sensor Type	Photoacoustic or Dual-beam NDIR
Sampling Method	Diffusion
Typical Detection Range	0...10 000 ppm (ordering code 10K) 0...40 000 ppm (ordering code 40K) 0...5% vol (ordering code 50KN) Up to 100% CO ₂ on request
Resolution / Digital Input	1 ppm for 10K 10 pm for 40K 0.2% FS for 50KN
Response Time	T ₆₀ ≤ 60 s for 10K/40K T ₅₀ ≤ 20 s; T ₉₀ ≤ 60 s for 50KN
Signal Update	Every 5 seconds for 10K/40K Every 1 second for 50KN
Sensor Lifetime	~ 10 years for 10K/40K ~ 5 years for 50KN
Maintenance Interval	no field recalibration if ABC algorithm is enabled for 10/40K 12 months for 50KN
Self-Diagnostics	Full functionality check at start-up
Warm-up Time	≤ 1 min
Power Supply	12 - 36 VDC (default) 24 VAC or 230 VAC as options
Power consumption	<2 VA
Digital Interface	RS486, Modbus RTU protocol
Analog Outputs	2 x 4-20 mA / 0-10 V, user settable
Output Scale Width	Recommended: 5-100% of the range; >10 x resolution in any case
Enclosure	Grey ABS plastic, wall mount, protection class IP65
Dimensions	H90 x W145 x D50mm (housing only) H140 with cable glands

Features

- Accurate and stable measurement
- Easy to install robust enclosure
- Two analogue outputs settable to 4-20 mA r 0-10 V
- RS485 Modbus RTU digital interface
- Relay Option
- Attached or remote sensor
- LCD indicator option

Dimensions



* Emissions Measurement * Drug + Alcohol * Environmental Monitoring * Post Harvest Technology *

Pacific Data Systems Australia Pty Ltd

Address: 27 High Tech Court, Eight Mile Plains, QLD, 4113 Phone: +617 3361 2000 Email: sales@pacdatasys.com.au Web: www.pacdatasys.com.au

Operating environment	Industrial indoor and outdoor locations
Operating conditions	-40...+60 °C, 0...100 %RH; 0,9...1,1 atm; Explosion-safe areas; Non-aggressive atmosphere

Additional options

Remote sensor probe	Protection IP65, shielded cable default cable length 3.0 m
Self-test button	Triggers both relays simultaneously; push-button switch

Relay outputs

Output relays	2 × SPST relays (closing contact), 250 VAC / 30 VDC, 5 A max
Default alarm set-points	Determined by user within 5-95% of the range

Alarm signalling

Visual	Red and green LEDs
Acoustic	Buzzer 85 dB

LCD indicator

Operating temperature	0...+50 °C
Display dimensions	72 × 36 mm
Number of digits	3.5 7-segment
Character height	14 mm
Other features	Backlight

NOTE! Only one analog output is available for a version with LCD.
NOTE! LCD and LEDs can not be chosen simultaneously.



Version with LCD indicator

Connections table

Jumpers

J1	OUT1 type (open: 4-20 mA; closed 0-10 V)
J2	OUT2 type (open: 4-20 mA; closed 0-10 V)
X6	Reset Modbus network parameters to default
X4 terminals	
OUT1	4-20 mA / 0-10 V output
OUT2	4-20 mA / 0-10 V output
0V	0 V / 24 VAC Neutral (optional)
A	RS485 A / Data +
B	RS485 B / Data -
+U	+24 VDC / 24 VAC Phase (optional)
X5 terminals (optional)	
L	90...265 VAC Phase
N	90...265 VAC Neutral
RE1 NO	Relay 1, normally open terminal
RE1 COM	Relay 1, common terminal
RE2 NO	Relay 2, normally open terminal
RE2 COM	Relay 2, common terminal

Cooling and Refrigeration

HVAC

Food and Beverage Industry

Agriculture

Process Industries



* Emissions Measurement * Drug + Alcohol * Environmental Monitoring * Post Harvest Technology *

Pacific Data Systems Australia Pty Ltd

Address: 27 High Tech Court, Eight Mile Plains, QLD, 4113 Phone: +617 3361 2000 Email: sales@pacdatasys.com.au Web: www.pacdatasys.com.au